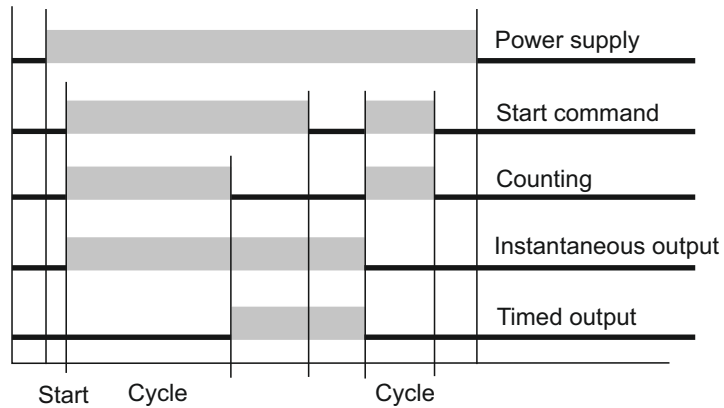
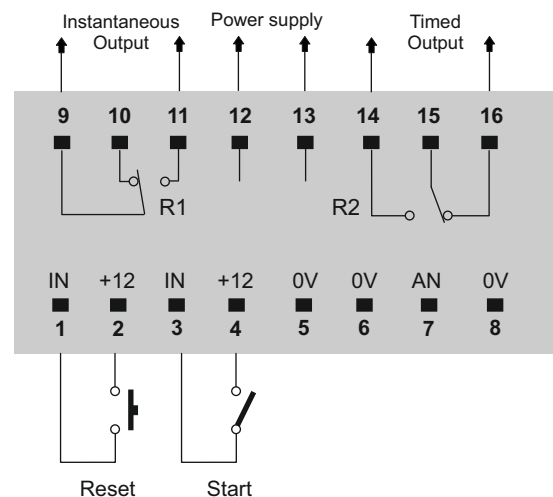
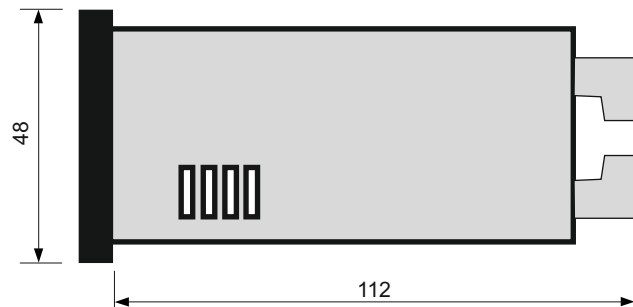
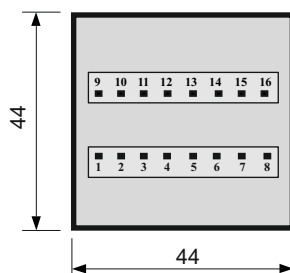


Multiscale timer with residual time


Preset timer with cents, seconds, minutes, hours scales.
 The counting takes place in decreasing manner, after closing the start, from the preset value to zero, remaining active for 2 sec.
 The instantaneous output is enabled at start and remains active until it is switched off.
 The timed output is enabled at the count end and remains active until the reset command or a new cycle restart.
 During operation, the cycle can be interrupted by opening the start and subsequently reset, or start again with a new start from the stopped time.
 In case of power off or power failure, the time that remains from the cycle end is stored.
 Data and parameters are stored on EEPROM automatically.
 The keys are disabled during the work cycle; to enter programming, put the instrument in stop mode.

Operating mode

Technical features

Power supply	24 - 110 - 230Vac +/- 10%
Absorption	Max 2,5VA
Display	H= 7mm red
Memory	EEprom
Min time	1/100 of Sec.
Max time	99 hours and 59 minutes
Relay range	10A / 250Vac AC1
Container size	48 x 48 x 112mm
Container	Black ABS
Operation conditions	0.. +55°C / 20..90% R.U. without condensation

Electrical connections

Dimensions


Time scales programming

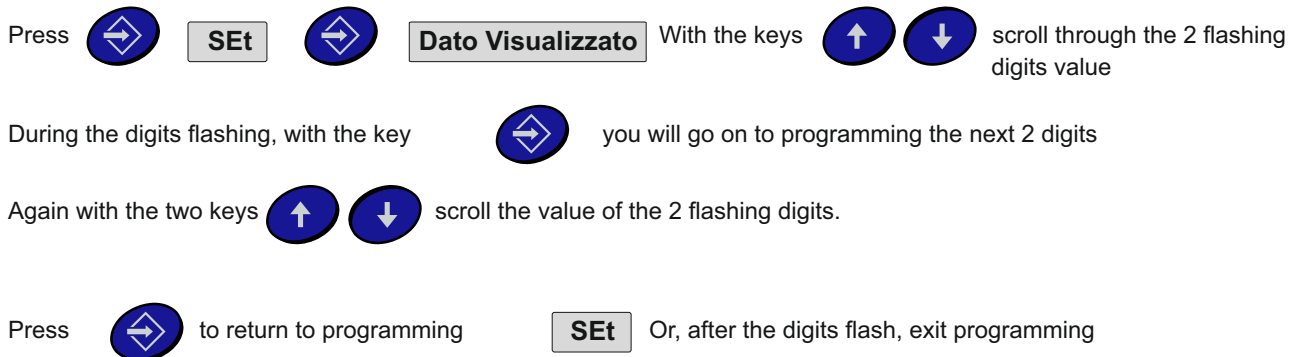
When turned on, the last set time will appear on the display.



Let the display flash on the desired scale and, after saving, the instrument will display the last time.

SET Programming

When turned on, the last set time will appear on the display.



If after 5 seconds no operation is carried out, the instrument will automatically exit the Programming, storing all the set parameters.

With Set equal to 0 the instrument, after a residual delay of 2 seconds, switches the delayed output.